

StreamCorder-HD

Standalone HD-SDI H.264 Video Recorder and Streamer



**Advanced Micro
Peripherals**

THE EMBEDDED VIDEO EXPERTS

The StreamCorder-HD is an intelligent, stand-alone, H.264 Streaming solution that accepts HD-SDI input at up to 1080p30 and encodes and streams over 100/1000MBit Ethernet. The single board solution is ideal for demanding applications in Military, Communications, Transportation, mining and Energy industries.



The flexible streaming engine can stream the compressed video direct from the on-board Ethernet port as well as save directly to local storage for later retrieval. Stereo audio embedded in the input HD-SDI source can also be captured and streamed, synchronized with the video.

Designed for mobile, UAS and Vetronix applications, the StreamCorder-HD supports extraction of KLV (MSB 0605.3 compliant) embedded data contained within the HD-SDI that can be synchronized and streamed with the compressed video. The StreamCorder-HD also features optional on-board Controller Area Network (CAN), 3-Axis Accelerometer, High sensitivity GPS receiver, Altimeter, and 3-Axis Digital Magnetometer (e-compass). These can integrate with other vehicle systems and data from these sources can be used as meta data embedded within the video and streamed to clients or saved for later analysis.

Rev A.01

Subject to change without notification

Advanced Micro Peripherals Ltd
Cambridge, CB6 2HY, England
Tel (+44) 1353 659500
Fax (+44) 1353 659600
sales@ampitd.com
<http://www.ampitd.com>

Advanced Micro Peripherals Inc
New York, NY10016, USA
Tel (+1) 212 951 7205
Fax (+1) 212 951 7206
sales@amp-usa.com
<http://www.amp-usa.com>

Industrial
Surveillance
and
Aerial
Observation
of large areas



StreamCorder-HD

Standalone HD-SDI H.264 Video Recorder and Streamer



**Advanced Micro
Peripherals**

THE EMBEDDED VIDEO EXPERTS

The StreamCorder-HD is an intelligent stand-alone device with it's own on-board CPU and does not require a host CPU or any driver or OS software. For mechanical convenience the module can be mounted on a PCIe104 stack without consuming host CPU resources.



Applications

Unmanned vehicles (UAV, ROV)
Rugged video recorders for marine, aviation
Situational Awareness
Remote Video Surveillance
Border Security
Traffic Monitoring and Control
Video Acquisition and Analytics
Solid state multi-channel video and sensor recorders

Advanced Micro Peripherals Ltd
Cambridge, CB6 2HY, England
Tel (+44) 1353 659500
Fax (+44) 1353 659600
sales@amp ltd.com
<http://www.amp ltd.com>

Advanced Micro Peripherals Inc
New York, NY10016, USA
Tel (+1) 212 951 7205
Fax (+1) 212 951 7206
sales@amp-usa.com
<http://www.amp-usa.com>

Real-time
transmission of
High quality video,
Audio,
and
Synchronized
metadata



StreamCorder-HD

Standalone HD-SDI H.264 Video Recorder and Streamer

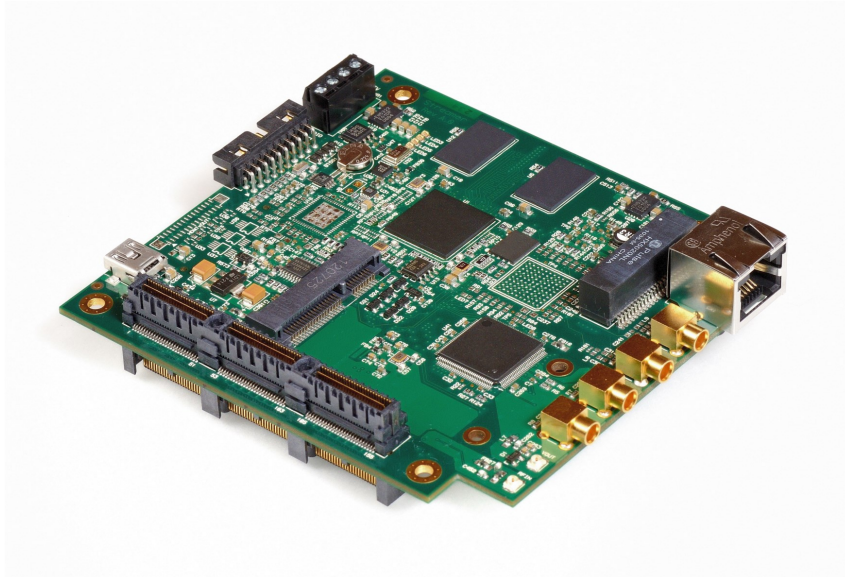


Image for illustrative purposes only. Please refer to product description

Features

- HD-SDI input up to 1080p30
- Real-time HD H.264 encode at 1080p30
- Stereo audio capture from HD-SDI
- Single board capture, encode, stream solution
- RS-485 port for Camera PTZ control
- USB 2.0 OTG support for extended local storage
- Low power operation for long endurance
- Stand-alone operation
- Operating system neutral
- Standard PCIe104 mechanical form factor
- Optional CAN, GPS, Altimeter, Accelerometer, Compass

Ideally suited to
the demanding
applications, space
requirements and
environmental
conditions of
Military,
Transportation,
Mining and
Energy Industries

Advanced Micro Peripherals Ltd
Cambridge, CB6 2HY, England
Tel (+44) 1353 659500
Fax (+44) 1353 659600
sales@amp ltd.com
<http://www.amp ltd.com>

Advanced Micro Peripherals Inc
New York, NY10016, USA
Tel (+1) 212 951 7205
Fax (+1) 212 951 7206
sales@amp-usa.com
<http://www.amp-usa.com>



HD-SDI Video Input

Flexible Capture at up to 1080p30

Audio Input

Embedded Audio captured from HD-SDI input
Provides Audio/Video synchronisation

H.264 Video Encoding

ITU-T H.264 (ISO/IEC 14496-10), supported profiles:

- Baseline profile,
- Main profile (I,P frame coding only)
- High profile (I, P frame coding only) at level 4.1

Up to 1080p30 encode
CAVLC and CABAC coding
Supports Variable Bit Rate (VBR)
Supports Constant Bit Rate (CBR)

JPEG Encoder

JPEG (ISO/IEC 10918-1)
Baseline JPEG with JFIF support

Network interface

100/1000Mbit Ethernet
miniPCIe slot for optional WiFi or 4G Modem

Vetronix Features

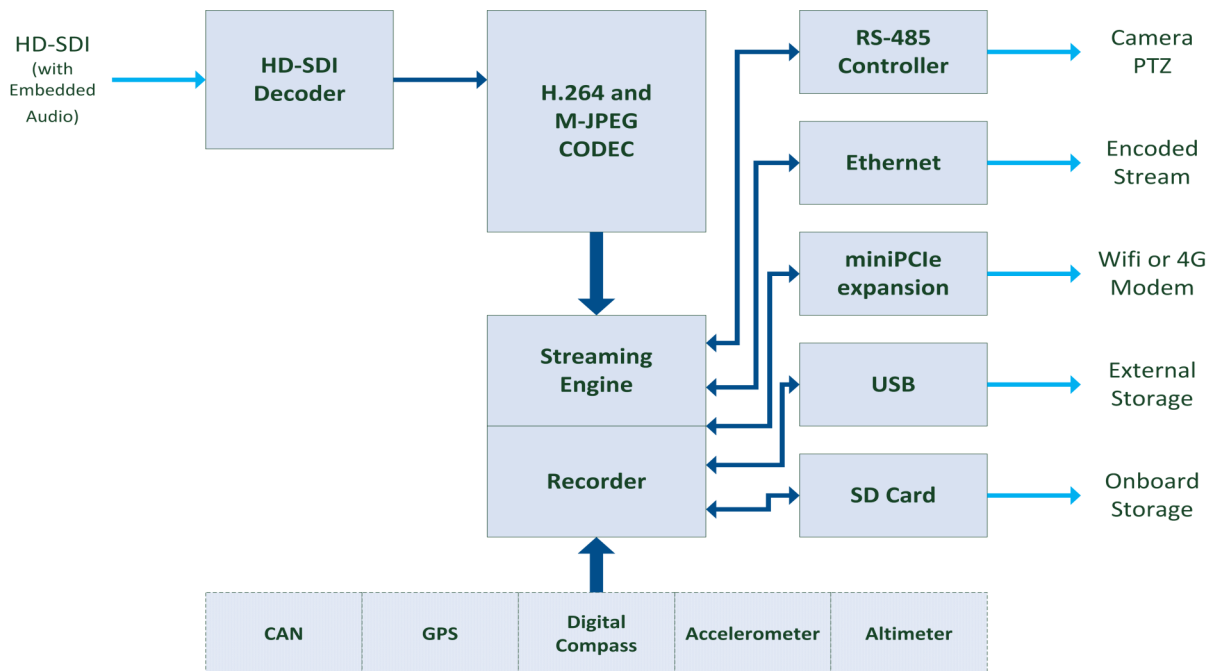
- KLV metadata support (optional)
- RS-485 - For Camera Pan/Tilt/Zoom control
- USB2.0 OTG - For external storage
- SD-Card slot - On-board storage
- CAN2.0B port - For vehicle networks (option)
- High-sensitivity GPS (option)
- 3-axis Digital Magnetometer for eCompass (option)
- 3-axis Accelerometer (option)
- High sensitivity altimeter (option)

Mechanical

- Intelligent stand-alone module, does not require host computer
- Standard 3.6 x 3.8in PCIe104 form factor
- Mechanical mounting for PCIe104 stack
- Single +5V supply
- Operating temp 0°C to 60°C
- Operating temp -40°C to +85°C (extended temp option)

Ordering Information

- STREAMCORDER-HD**
H.264 HD Video Streamer (0 to 60°C)
- STREAMCORDER-HD-EXT**
H.264 HD Video Streamer (-40°C to +85°C)



StreamCorder-HD Functional Diagram

